

Vision is  
our mission®

Camera PTZ Ex PAL SSt RS485  
Article no. 0192140

Camera PTZ Ex PAL Alu RS485  
Article no. 0192150

Camera PTZ Ex NTSC SSt RS485  
Article no. 0192200

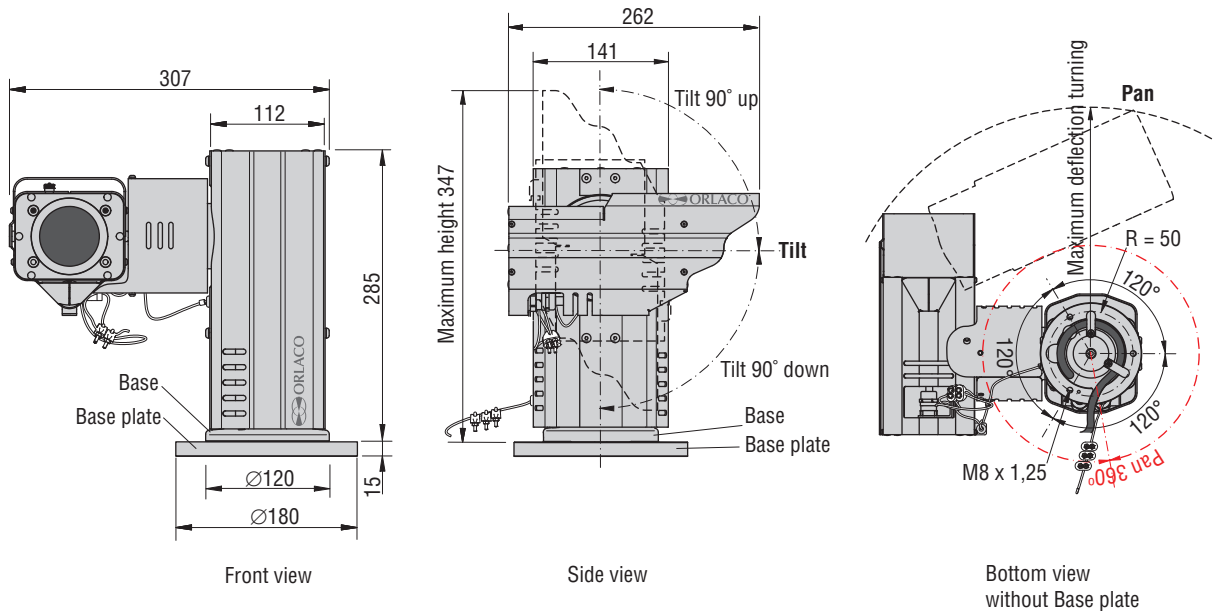
Camera PTZ Ex NTSC Alu RS485  
Article no. 0192210

2017 • DS0964070 EN A 03



# Product Data

## Dimensions



Units in mm

# Camera PTZ Ex PAL/NTSC-Alu/SSt RS485

	<b>Description</b>
<b>Article number</b>	<b>0192140</b> Pan-Tilt Zoom Camera PTZ Ex PAL SST RS485 <b>0192150</b> Pan-Tilt Zoom Camera PTZ Ex PAL ALU RS485 <b>0192200</b> Pan-Tilt Zoom Camera PTZ Ex NTSC SST RS485 <b>0192210</b> Pan-Tilt Zoom Camera PTZ Ex NTSC ALU RS485
	<b>Sensor</b>
<b>CCD sensor</b>	1/4" type Super HAD CCD II.
<b>Effective pixels</b>	± 570000 pixels (PAL). ± 480000 pixels (NTSC).
<b>Hor. resolution</b>	670 TV lines.
<b>Lens</b>	f = 3,06 mm to 122,4 mm, F1.6 to F4.6; 40x optical, 12x digital(480x with optical zoom).
<b>Lens speed</b>	From wide optical to tele optical 3,5 sec.
<b>Angle of view (H)</b>	60° (wide) 1,6° (tele).
<b>Min. object distance</b>	10 mm (WIDE end), 1500 mm (TELE end).
<b>Min. illumination</b>	0,6 Lux (1/50 sec. PAL Typical) 0,04 Lux (1/3 sec. PAL Typical). 0,6 Lux (1/60 sec. NTSC Typical) 0,04 Lux (1/4 sec. NTSC Typical).
<b>S/N ratio</b>	50 dB or more.
<b>TV system</b>	PAL/NTSC, CVBS, Output: 1 Vtt composite video into 75 ohm.
	<b>Electrical</b>
<b>Power input</b>	Power PTZ unit = 24V +/-10%.
<b>Power consumption</b>	Camera unit; Temperature <0°C (heater on): 5,6W. Temperature >0°C (heater off): 3,6 W. Pan & Tilt; 24V, 12W.
<b>Communication</b>	Communication via serial interface through pin nr. 5 and 6 of the 7 poles connector, Visca, Pelco-D protocol (RS485) 9,6 Kbps, 8 bit, 1 stop bit, no parity.
<b>Pan angle</b>	Total 360°, 180° left, 180° right.
<b>Tilt angle</b>	Total 180°, 90° up, 90° down.
<b>Backlash PTZ</b>	1°.
<b>Fixed camera positions</b>	128 presets Visca and 255 presets Pelco-D.
<b>Pan &amp; Tilt speed</b>	12,5°/sec.
<b>Fuse</b>	The PTZ must be protected with a 500 mA-T fuse, with 1500A breaking capacity. Placed on the Ex board, see Installation manual IM0973041.
	<b>Mechanical</b>
<b>PTZ Alu Housing</b>	Anodised aluminium housing corrosion proof according IEC 60068-2-52 salt mist, cyclic.
<b>PTZ SSt housing</b>	Stainless steel 316.
<b>PTZ Alu Weight</b>	8 kg, including 3,5 metre cable for installation (total 5m).
<b>PTZ SSt Weight</b>	16 kg, including 3,5 metre cable for installation (total 5m).
<b>Protection</b>	IP66/68 following IEC 60529. 1,4 Bar overpressure filled with dry nitrogen, monitored by 2 absolute sensors, long term stability 0,1%/year. Camera is also successfully tested IP69K following DIN 40050-9: camera can withstand a high pressure cleaning with water: 14-16L/min. 80°C and 100 bars flow.
<b>Operating temperature</b>	Tamb -20°C to +75°C.
<b>Included</b>	Steel cable fall protection and a 12AWG 4mm <sup>2</sup> wire to earth.
	<b>Certification</b>
<b>Standards</b>	EN 60079-0 : 2009, EN 60079-18 : 2009/2004, EN 60079-2 : 2007, EN 60079-31 : 2009, EN 60079-11 : 2007.
<b>Green Passport</b>	All materials are compliant to Green Passport requirements according IMO resolution MEPC.197(62) as adopted on 15 July 2011 (Maritime sector: International Maritime Organization concerning the functions of the Marine Environment Protection Committee).
<b>Ex Specifications</b>	CE0344. Ex II 2 G Ex ib mb px IIC T4 Gb. Ex II 2 D Ex tb mb IIIC T95°C Db.
<b>Approvals</b>	IEC 60079-0 : 2007-10 Ed. 5, IEC 60079-11 : 2006 Ed. 5, IEC 60079-18 : 2009 Ed. 3, IEC 60079-2 : 2007-02 Ed. 5, IEC 60079-31 : 2008 Ed. 1.

**NOTE** For more installation and specification details see the Installation manual IM0973041.

All data subject to change without notice. All dimensions are for commercial purpose only.  
The camera/display systems from Orlaco comply with the latest CE, ADR, EMC and mirror-directive regulations, where applicable.  
All products are manufactured in accordance with the ISO 9001 quality management system, ISO/TS 16949 quality automotive, ISO 14001 environmental management systems and all Ex products with the IECEx scheme and ATEX directives, where applicable.

