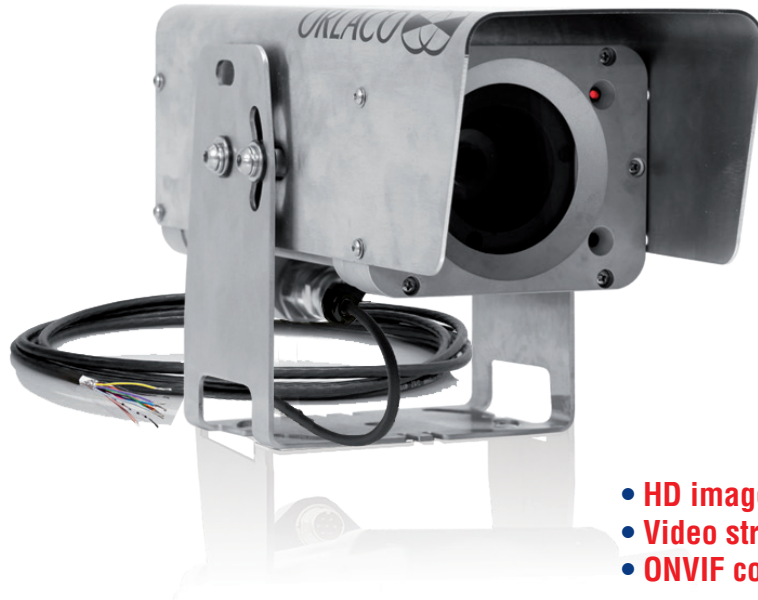
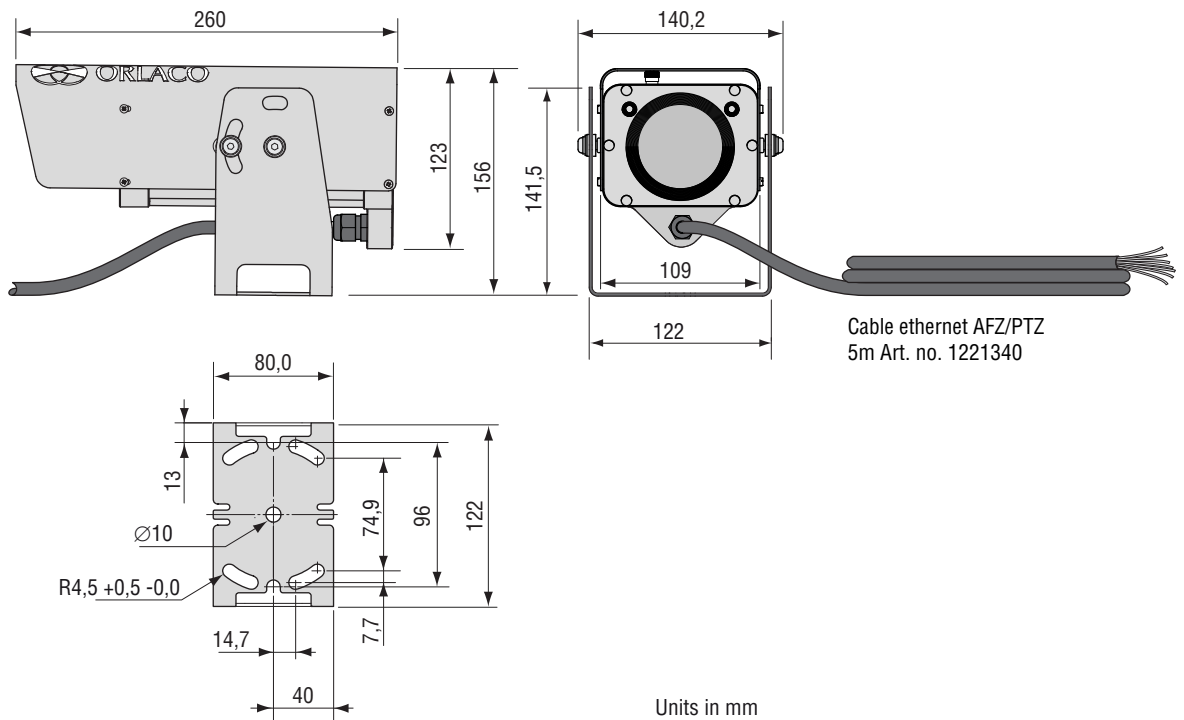


Product Data



- HD image sensor
- Video streaming over TCP/IP
- ONVIF compliant

Dimensions



TECHNICAL DATA

Camera AFZ HD-E Sst

Article number	Description 0103820	Networking	Protocols IPv4/v6, UDP, TCP, IGMP, ICMP, ARP, DHCP, DNS.
Imager	General Digital full HD zoom camera with ethernet interface. The camera has a web GUI interface (HTTP or HTTPS). Control and view of the camera is done over TCP/IP in a computer network.	Streaming Management	RTP, HTTP. RTSP, HTTP, HTTPS, Bonjour, NTP, Telnet, FTP, SNMP.
Picture elements	Sensor 1/2.8 Type Exmor CMOS Sensor. 2.38 Megapixels.	PTZ integration	Pelco D.
Lens	30x Zoom F=4.3mm (WIDE) to 129mm (TELE), F1.6 to F4.7.	Pinput voltage range	Electrical 18...30VDC.
Angle of view (H)	±63.7° (wide end), ±2.3° (tele end).	Power consumption	Heating on: 15W & Heating off: 10W.
Min. working distance	10 mm (WIDE end), 1200 mm (TELE end).	Communication	Ethernet.
Min. illumination	1,4 Lx (1/30 sec, 50%, ICR-OFF, High Sensitivity mode OFF) 0.35 Lx (1/30 sec, 50%, ICR-ON, High Sensitivity mode ON). 0 lux mode.	Cable	Art. no. 1221340; Cable Ethernet AFZ/PTZ, 5,0m, open wired. Length between camera and switch; Max 60m
S/N ratio	50 dB	Construction	Mechanical Housing, mounting parts and sun cover; stainless steel 316, suitable for mobile applications with shocks and vibrations. Corrosion proof housing according to MIL-A-8625E (Acetic Acid Salt Spray Test), condense- & watertight IP 69 (25 m under water), dry-nitrogen filled, 1,4 Bar overpressure.
Standards	Video Compression H.264 High, Main and Baseline profiles, Motion JPEG.	Ingress protection	Stainless steel 316 bracket, including bolts, nuts and washers. Suitable for mounting overhead and standing.
Data rate	64 kbps to 10 Mbps per channel (requires less than 1 Mbps at 4CIF/30fps)	Bracket	Operating temperature -40°C to +60°C.
Resolutions	Up to HD 720p at 60 fps / 1080p at 30 fps (16:9).	Operating temperature	Glass Chemically hardened lens glass, 7x stronger than ordinary glass, scratchproof surface, following "VII Flachgläser"(German std.).
Latency	< 200ms.	Weight	5,1 kg.
Start up time	< 100 sec.		

NB

Cable lengths are restricted; S/FTP cable (not included) max 100m point to point. See Installation Manual; **IM0973540**.

Certification

Green Passport All materials are compliant to Green Passport requirements according IMO resolution MEPC.197(62) as adopted on 15 July 2011 (Maritime sector: International Maritime Organization concerning the functions of the Marine Environment Protection Committee).

Electrical connections

Cable Ethernet AFZ/PTZ, Art. No. 1221340

1. Brown	N.C.	9. Black/white	P&T Power 0V in
2. Blue	N.C.	10. Red	Camera power 24V in
3. Black/blue	N.C.	11. Black	Camera power 0V in
4. Red/blue	N.C.	12. Orange/white	Ethernet TX+
5. Blue	Serial - 1*	13. Orange	Ethernet TX-
6. White	Serial - 2*	14. Green/white	Ethernet RX+
7. Grey	Serial 0V	15. Green	Ethernet RX-
8. Red/white	P&T Power 24V in		

All data subject to change without notice. All dimensions are for commercial purpose only.

The camera/display systems from Orlaco comply with the latest CE, ADR, EMC and mirror-directive regulations, where applicable.

All products are manufactured in accordance with the ISO 9001 quality management system, ISO/TS 16949 quality automotive, ISO 14001 environmental management systems and all Ex products with the IECEx scheme and ATEX directives, where applicable.

